

Acova Fassane Mirror



Central heating



See pages 98/99



Colour option

Height (mm) H	Width (mm) W†	Finish*	Number of elements	Central Heating Model Stock	Output 60 Δt (Watts/btu)	Output 50 Δt (Watts/btu)	Net Weight (kg)	RRP (ex VAT)	RRP (inc VAT)
1800	666	White	3+2	MX-180-067	865/2951	680/2320	24.6	£490	£575.75
1800	666	Colour*	3+2	MX-180-067	865/2951	680/2320	24.6	£613	£720.28
1800	814	White	5+2	MX-180-081	1211/4132	952/3248	31.0	£552	£648.60
1800	814	Colour*	5+2	MX-180-081	1211/4132	952/3248	31.0	£690	£810.75

Dimensions	Pipe Centres	Centres from Wall	Overall Projection
MX-180-067	619mm	58mm	86mm
MX-180-081	767mm	58mm	86mm

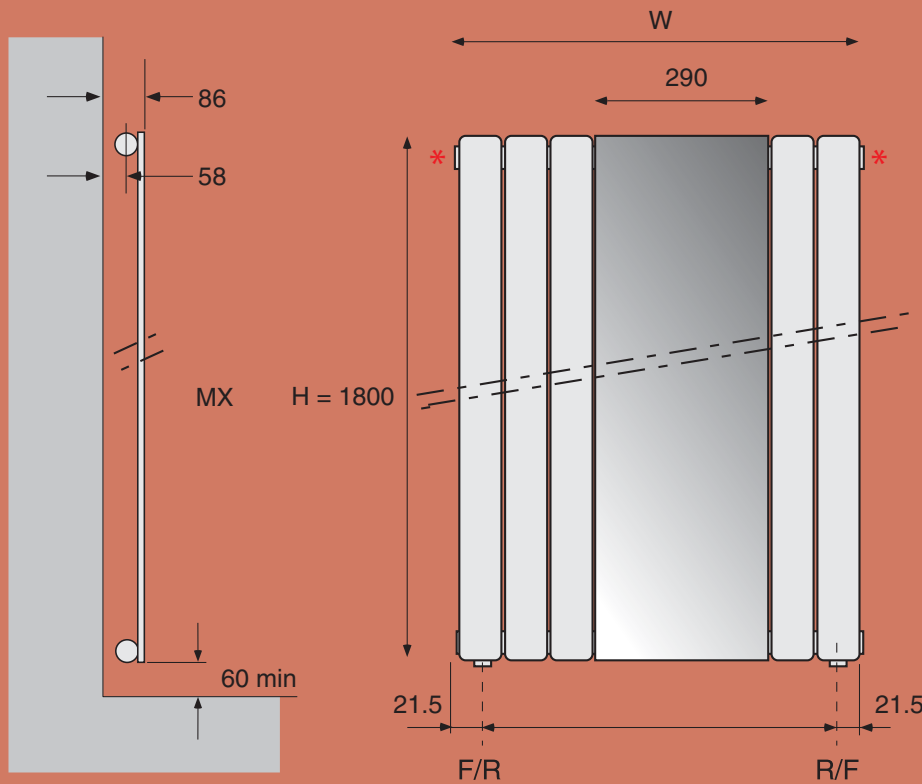
Maximum working pressure: 4 bar Maximum test pressure: 5.2 bar

Valves & Accessories: Please refer to accessories section (page 103) and valves (page 102) for details.

Colour finish: Standard colours from Acova colour chart: white + 25% (generally 4-6 weeks delivery)

Non stock Items: 4 - 6 weeks delivery

* air vent
 † width excludes air vents
 Tube dimensions: 70 x 11 mm
 F = Flow
 R = Return



W-43